



COOLINGFAN

100²⁵
mm

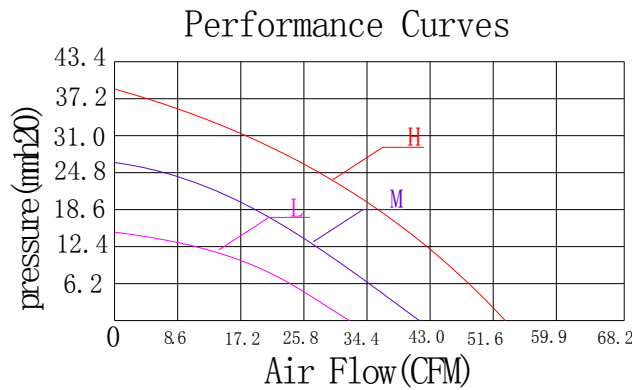
Axial Fan



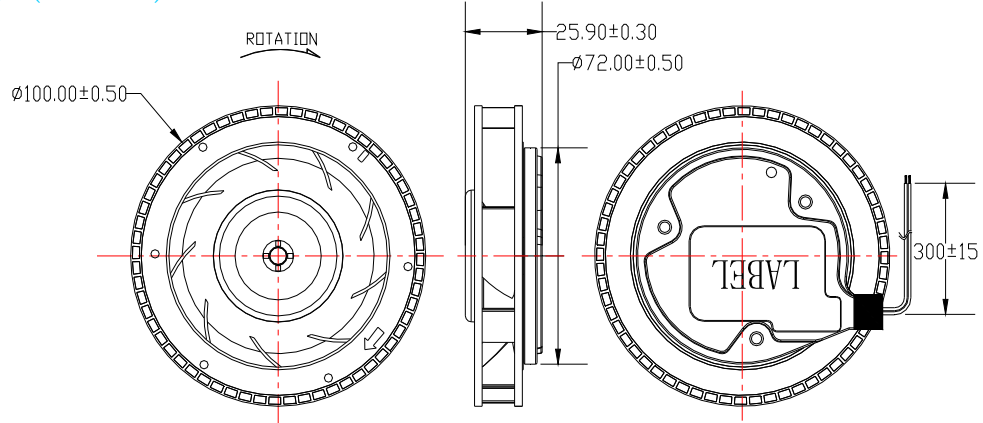
常用规格 (General specification:)

- ◆外框 (Frame) : ADC12
- ◆扇叶 (Impeller) : Thermal Plastic, UL 94V-0
- ◆轴承型号 (Bearing type) : Sleeve Bearing & Ball Bearing & Hydro Bearing
- ◆引线 (Lead wires) : UL Type or Equivalent (+) : Red (-) : Black
- ◆马达保护 (Motor Protection) : Impedance Protected; Reverse Polarity Protected; Automatic Restart
- ◆工作温度 (Operating Temperature) : -10°C~70°C 35%~85%RH
- ◆储存温度 (Storage Temperature) : -40°C~80°C 35%~85%RH

风扇性能曲线 (Fan performance Curve)



尺寸 (Dimensions) (Unit:mm)



规格 (specifications)

型号 Listed Model	额定电压 Rated Voltage	工作电压 Operation Voltage	额定电流 Rated Current	转速 Rated Speed	风量 Air Flow	风压 Static pressure	噪音 Noise Level	可选功能 Available Features (Optional)				重量 Weight
	(VDC)	(VDC)	(A)	(RPM)	(CFM)	(mmH2O)	(dBA)	转速侦测 Tachometer Output	锁机报警 Rotation Detector	温控 Thermal Control	脉冲调速 Pulse Width Modulation	(g)
DFX102512H	12	6.0~13.8	1.00	5,300	51.76	39.19	57.69	◆	◆		◆	144.0
DFX102512M		6.0~13.8	0.50	4,300	41.99	25.80	51.50	◆	◆		◆	
DFX102512L		6.0~13.8	0.30	3,200	31.25	14.29	40.10	◆	◆		◆	

X=S:Sleeve Bearing or B: Ball Bearing or H:Hydro Bearing ; Specifications are subject to change without notice

