



80¹⁰
mm

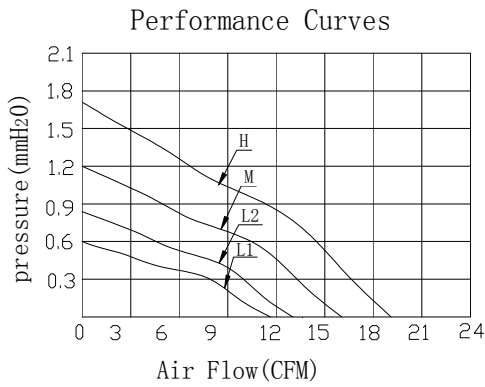
Axial Fan



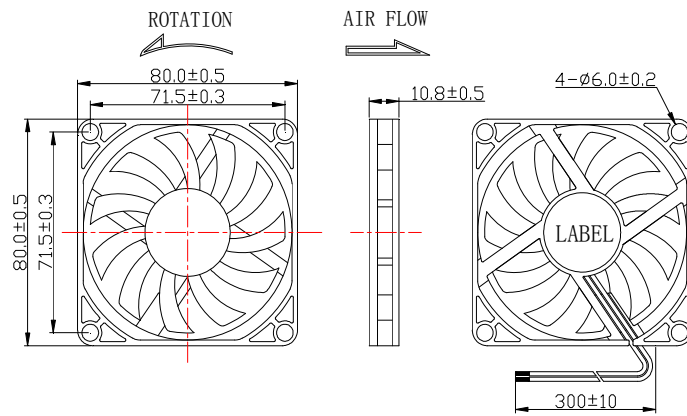
常用规格 (General Specification:)

- ◆外框 (Frame) : PBT OF UL 94V-0
- ◆扇叶 (Impeller) : PBT OF UL 94V-0
- ◆轴承型号 (Bearing Type) : Sleeve Bearing & Ball Bearing & Hydro Bearing
- ◆引线 (Lead Wires) : UL Type or Equivalent (+) : Red (-) : Black
- ◆马达保护 (Motor Protection) : Reverse Polarity Protected; Automatic Restart
- ◆工作温度和湿度 (Operating Temperature and Humidity) : -10°C~70°C, 5%~90%RH
- ◆储存温度和湿度 (Storage Temperature and Humidity) : -40°C~80°C, 5%~95%RH

■ 风扇性能曲线 (Fan Performance Curve)



■ 尺寸 (Dimensions) (Unit:mm)



■ 规格 (Specifications)

| 型号 Listed Model | 额定电压 Rated Voltage | 工作电压 Operating Voltage | 额定电流 Rated Current | 转速 Rated Speed | 风量 Air Flow | 风压 Static pressure | 噪音 Noise Level | 可选功能 Available Features (Optional) | | | | 重量 Weight |
|-----------------------|--------------------------|------------------------------|--------------------------|-------------------|-------------------|--------------------------|----------------------|---------------------------------------|------------------------------|--------------------------|-----------------------------------|--------------|
| | (VDC) | (VDC) | (A) | (RPM) | (CFM) | (mmH2O) | (dBA) | 转速侦测 Tachometer Output | 锁机报警 Rotation Detector | 温控 Thermal Control | 脉冲调速 Pulse Width Modulation | g |
| DFX801005M | 5 | 3.5~5.75 | 0.40 | 2,500 | 16.20 | 1.20 | 25.50 | ◆ | ◆ | ◆ | ◆ | 36 |
| DFX801005L | | 3.5~5.75 | 0.20 | 1,800 | 11.70 | 0.60 | 16.90 | ◆ | ◆ | ◆ | ◆ | |
| DFX801012H | 12 | 6.0~13.8 | 0.35 | 3,000 | 19.50 | 1.70 | 30.20 | ◆ | ◆ | ◆ | ◆ | |
| DFX801012M | | 6.0~13.8 | 0.25 | 2,500 | 16.20 | 1.20 | 25.50 | ◆ | ◆ | ◆ | ◆ | |
| DFX801012L | | 6.0~13.8 | 0.15 | 2,000 | 13.00 | 0.80 | 19.70 | ◆ | ◆ | ◆ | ◆ | |
| DFX801024H | 24 | 12.0~27.6 | 0.20 | 3,000 | 19.50 | 1.70 | 30.20 | ◆ | ◆ | ◆ | ◆ | |
| DFX801024M | | 12.0~27.6 | 0.12 | 2,500 | 16.20 | 1.20 | 25.50 | ◆ | ◆ | ◆ | ◆ | |
| DFX801024L | | 12.0~27.6 | 0.08 | 2,000 | 13.00 | 0.80 | 19.70 | ◆ | ◆ | ◆ | ◆ | |

X=S:Sleeve Bearing or B: Ball Bearing or H:Hydro Bearing ; Specifications are subject to change without notice

