



172 51 mm

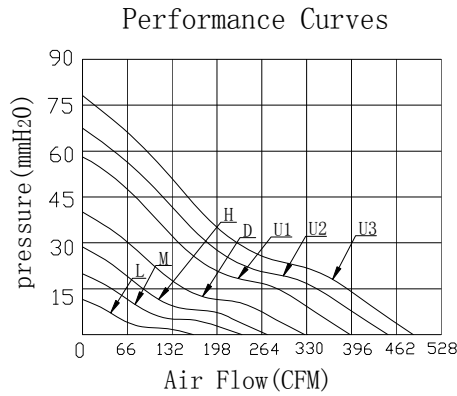
Axial Fan



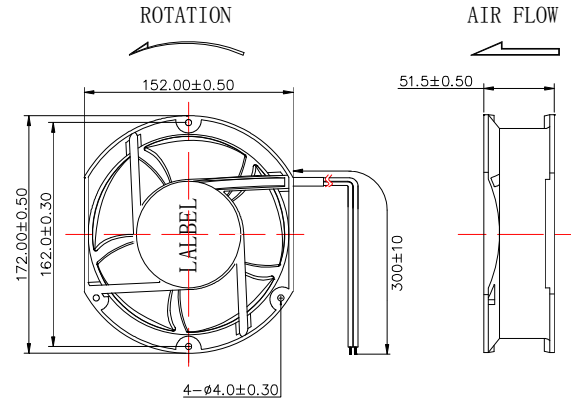
常用规格 (General Specification:)

- ◆外框 (Frame) : Die-cast Aluminum Alloy
- ◆扇叶 (Impeller) : PBT OF UL 94V-0
- ◆轴承型号 (Bearing Type) : Ball Bearing
- ◆引线 (Lead Wires) : UL Type or Equivalent (+) : Red (-) : Black
- ◆马达保护 (Motor Protection) : Reverse Polarity Protected; Automatic Restart
- ◆工作温度和湿度 (Operating Temperature and Humidity) : -10°C~70°C, 5%~90%RH
- ◆储存温度和湿度 (Storage Temperature and Humidity) : -40°C~80°C, 5%~95%RH

风扇性能曲线 (Fan performance Curve)



尺寸 (Dimensions) (Unit:mm)



规格 (Specifications)

型号 Listed Model	额定电压 Rated Voltage	工作电压 Operating Voltage	额定电流 Rated Current	转速 Rated Speed	风量 Air Flow	风压 Static pressure	噪音 Noise Level	可选功能 Available Features (Optional)				重量 Weight
	(VDC)	(VDC)	(A)	(RPM)	(CFM)	(mmH2O)	(dBA)	转速侦测 Tachometer Output	锁机报警 Rotation Detector	温控 Thermal Control	脉冲调速 Pulse Width Modulation	g
DFB175112U	12	7.0~13.8	6.00	6,000	394.40	58.70	70.80	◆	◆	◆	◆	700
DFB175112D		7.0~13.8	4.00	5,000	328.70	40.80	66.00	◆	◆	◆	◆	
DFB175112H		7.0~13.8	3.20	4,200	276.10	28.80	61.50	◆	◆	◆	◆	
DFB175112M		7.0~13.8	2.20	3,500	230.10	20.00	56.70	◆	◆	◆	◆	
DFB175112L		7.0~13.8	1.20	2,500	164.30	10.20	48.00	◆	◆	◆	◆	
DFB175124U	24	14.0~27.6	5.00	7,000	456.20	66.30	74.80	◆	◆	◆	◆	
DFB175124D		14.0~27.6	2.50	5,000	328.70	40.80	66.00	◆	◆	◆	◆	
DFB175124H		14.0~27.6	1.60	4,200	276.10	28.80	61.50	◆	◆	◆	◆	
DFB175124M		14.0~27.6	1.20	3,500	230.10	20.00	56.70	◆	◆	◆	◆	
DFB175124L		14.0~27.6	0.60	2,500	164.30	10.20	48.00	◆	◆	◆	◆	
DFB175148U	48	28.0~56.0	3.00	7,500	488.80	76.10	76.60	◆	◆	◆	◆	
DFB175148D		28.0~56.0	1.20	5,000	328.70	40.80	66.00	◆	◆	◆	◆	
DFB175148H		28.0~56.0	0.80	4,200	276.10	28.80	61.50	◆	◆	◆	◆	
DFB175148M		28.0~56.0	0.60	3,500	230.10	20.00	56.70	◆	◆	◆	◆	
DFB175148L		28.0~56.0	0.40	2,500	164.30	10.20	48.00	◆	◆	◆	◆	

Specifications are subject to change without notice

