



COOLINGFAN

200 60 mm

Axial Fan

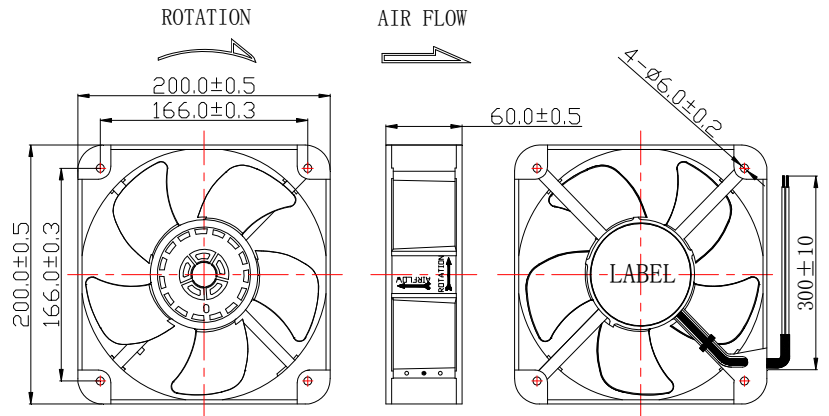
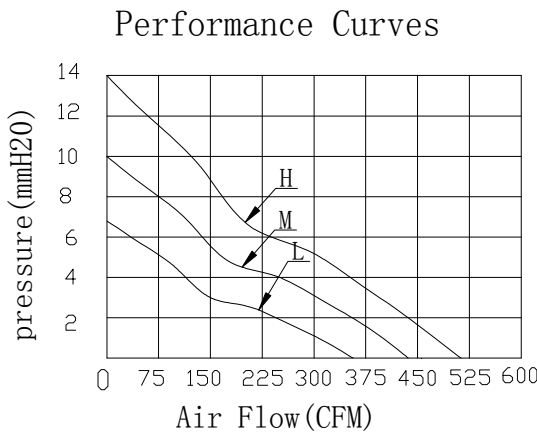


常用规格 (General Specification:)

- ◆外框 (Frame) : ADC12
- ◆扇叶 (Impeller) : Thermal Plastic, UL 94V-0
- ◆轴承型号 (Bearing Type) : Ball Bearing
- ◆引线 (Lead Wires) : UL Type or Equivalent (+) : Red (-) : Black
- ◆马达保护 (Motor Protection) : Reverse Polarity Protected; Automatic Restart
- ◆工作温度和湿度 (Operating Temperature and Humidity) : -10°C~70°C, 5%~90%RH
- ◆储存温度和湿度 (Storage Temperature and Humidity) : -40°C~80°C, 5%~95%RH

风扇性能曲线 (Fan performance Curve)

尺寸 (Dimensions) (Unit:mm)



规格 (Specifications)

型号 Listed Model	额定电压 Rated Voltage	工作电压 Operating Voltage	额定功率 Rated power	转速 Rated Speed	风量 Air Flow	风压 Static pressure	噪音 Noise Level	可选功能 Available Features (Optional)				重量 Weight
	(VAC)	(VAC)	(W)	(RPM)	(CFM)	(mmH2O)	(dBA)	转速侦测 Tachometer Output	锁机报警 Rotation Detector	温控 Thermal Control	脉冲调速 Pulse Width Modulation	g
EFX206022L	110/220	85~240	30.00	1,800	355.60	6.70	64.00	◆	◆	◆	◆	990
EFX206022M		85~240	40.00	2,200	434.70	10.00	71.50	◆	◆	◆	◆	
EFX206022H		85~240	55.00	2,600	513.70	14.00	79.80	◆	◆	◆	◆	

X=S:Sleeve Bearing or B: Ball Bearing or H:Hydro Bearing ; Specifications are subject to change without notice

